

HygBox Connect 2622

Hygiene Flushing Station



Application

The HygBox 2622 Connect protects areas and buildings in which longer interruptions of use and thus water stagnation are to be expected. Once such stagnation is detected, the HygBox carries out a

hygiene flushing. The connected sensors constantly monitor the state of the drinking water installation and check the criteria for activating such hygiene flushings, e.g. considering the time of use.

Design

The HygBox monitoring electronics detect water stagnation. Once the pre-set values are exceeded, the entire installation will be flushed with fresh water. The SYR HygBox with built-in wireless connection includes an electronic water meter

(via turbine), a temperature sensor and a pressure sensor. With the SYR Connect system, the HygBox can be controlled and operated using the internet or your smartphone.

Materials

The casing is made of a high-quality low-lead brass alloy. The rubber parts are made of ageing-resistant elastomers. All other functional parts are made of stainless steel. All the materials used are state-of-the-art. The

synthetic and elastomeric parts in contact with water meet the requirements of the KTW Guidelines of the UBA, the German Federal Environment Agency.

Assembly

The HygBox is connected to the angle valve and an outlet valve via flexible hoses. There are 3 accessories available

to connect the HygBox to a siphon or to an HT pipe or to connect two HygBoxes.

Thoroughly flush the pipework before installation. All electrical connections have been pre-assembled at

the factory.

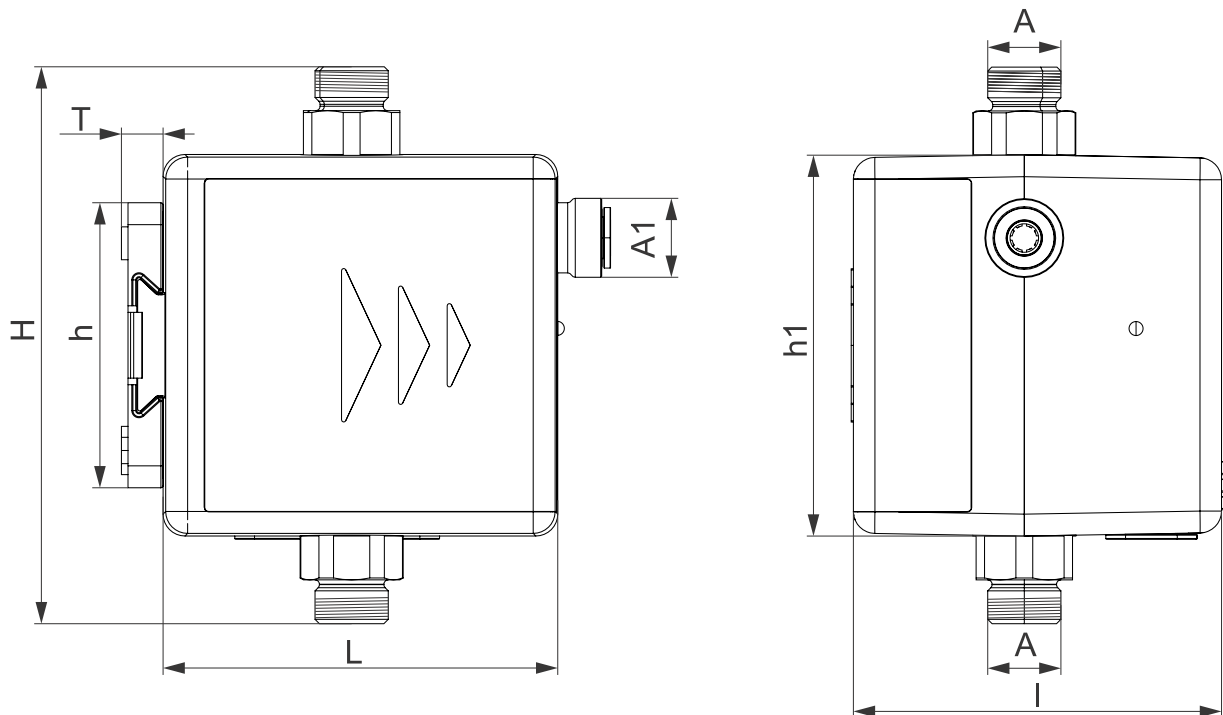
Technical specifications

Operating temperature:	max. 30 °C (cold water) max. 60 °C (hot water)
Operating pressure:	min. 1 bar; max. 10 bar
Fluid:	potable water
Flow rate:	2,0 m ³ /h at 1,0 bar Δp
Batteries:	4 x LR6 AA
Voltage:	6 V DC
Adapter:	12 V DC
Protection class:	IPX4
Serial number:	2622.15.000

Maintenance

The design of the HygBox ensures maintenance-free operation except for regular battery replacement every

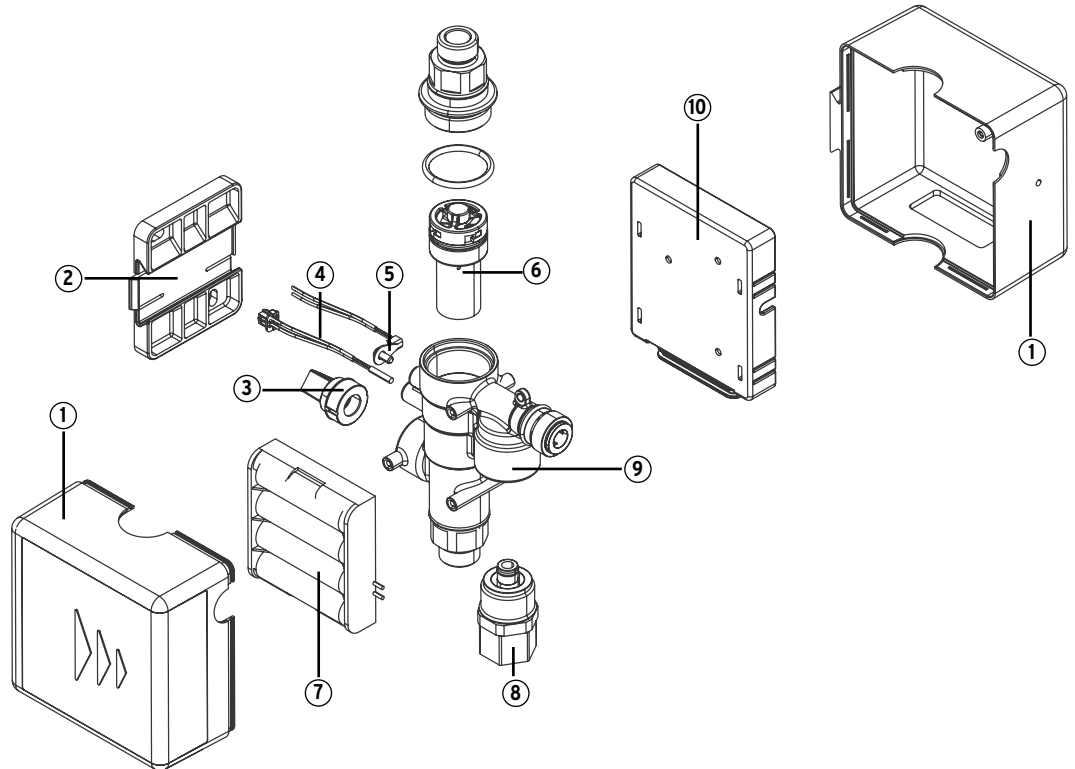
other year.



Dimensions	A (mm)	G 3/8"
	A1 (mm)	18 mm for hoses of 8 mm diameter
	H (mm)	127
	h (mm)	65
	h1 (mm)	87
	L (mm)	90
	l (mm)	82,5
	T (mm)	9,5

Components / Order numbers

- ① **Cover**
- ② **Wall bracket**
- ③ **Pressure sensor**
- ④ **Reed contact**
- ⑤ **Temperature sensor**
- ⑥ **Turbine, complete**
- ⑦ **Battery tray**
- ⑧ **Cartridge valve**
- ⑨ **Housing**
- ⑩ **Board holder**



no. pict.
Connection Set Siphon
2622.00.900

no. pict.
Connection Set Waste Water
2622.00.901

no. pict.
Connection Set 2 Boxes
2622.00.902